

# edbak® SFP1 ■ Extendable / Retractable Wall Mount 26" -60"

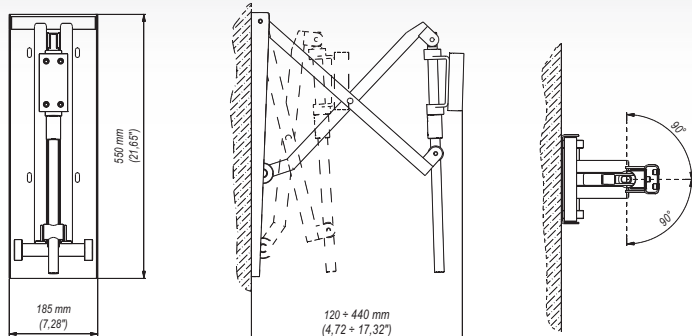


## Features

- 1 **SOLID BUILD**  
3 mm thick powder-coated metal sheet
- 2 **ADJUSTABLE POSITION**  
2 axes of rotation
- 3 **QUICK INSTALLATION**  
easy installation of the product



## Technical Data



100x100 mm 200x100 mm 200x200 mm 300x300 mm 400x200 mm 400x400 mm 600x400 mm 800x200 mm 800x400 mm	26"-60"	min. 120 mm max. 440 mm	min. 70x65 mm max. 845x460 mm
80 Kg		90°/90°	

## Trade Information

Index	Colour	Package	EAN
SFP1c-B	■	■	5908252960972
SFP1s-B	■	■	5908252960989

Package Dimensions [mm] (H x W x D)	<b>560x220x140</b>
Weight [Kg]	<b>9.6</b>

## Accessories

LWB1/PWB1/TWB1

